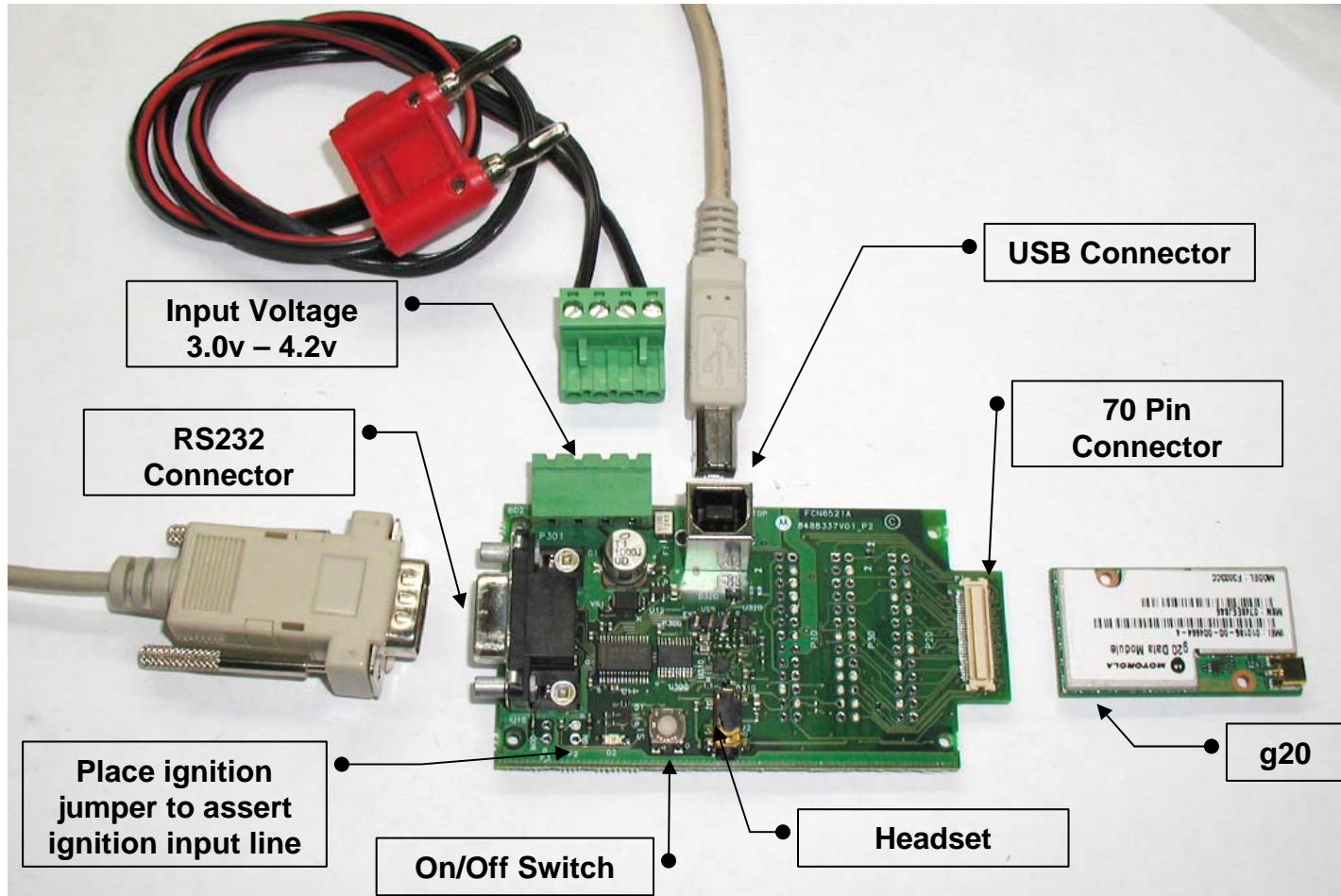
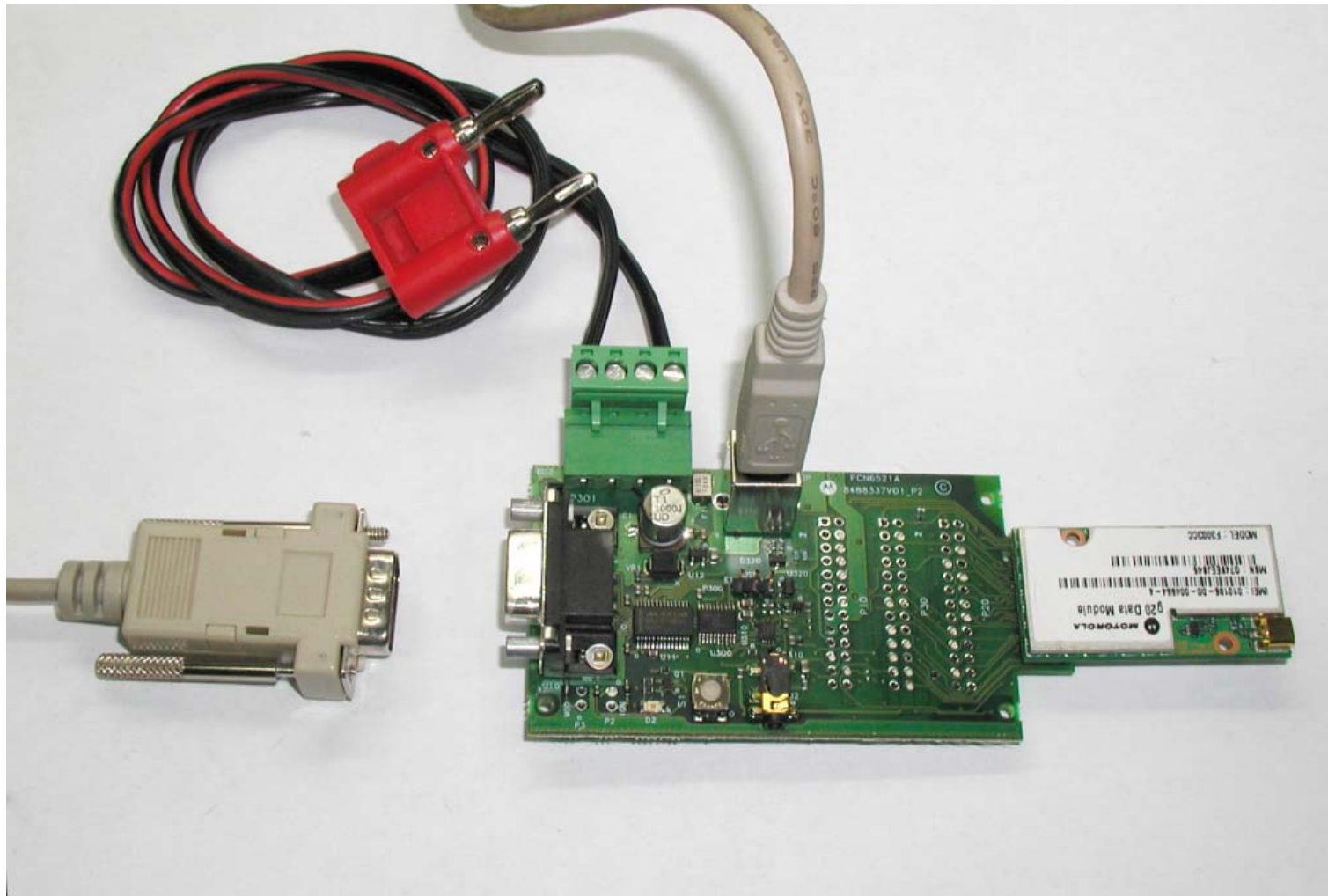


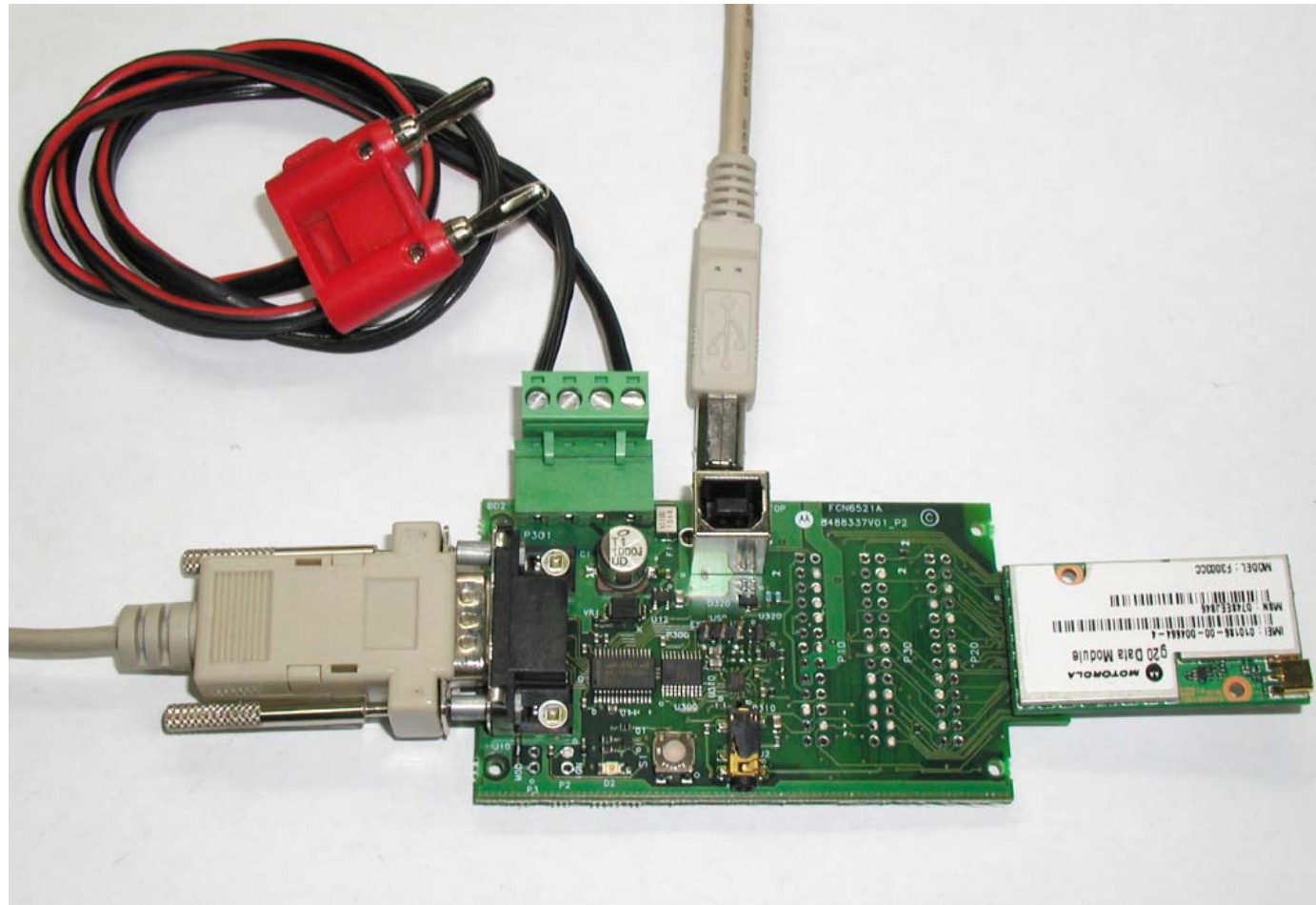
g20/c18 Adaptor Board and Accessories

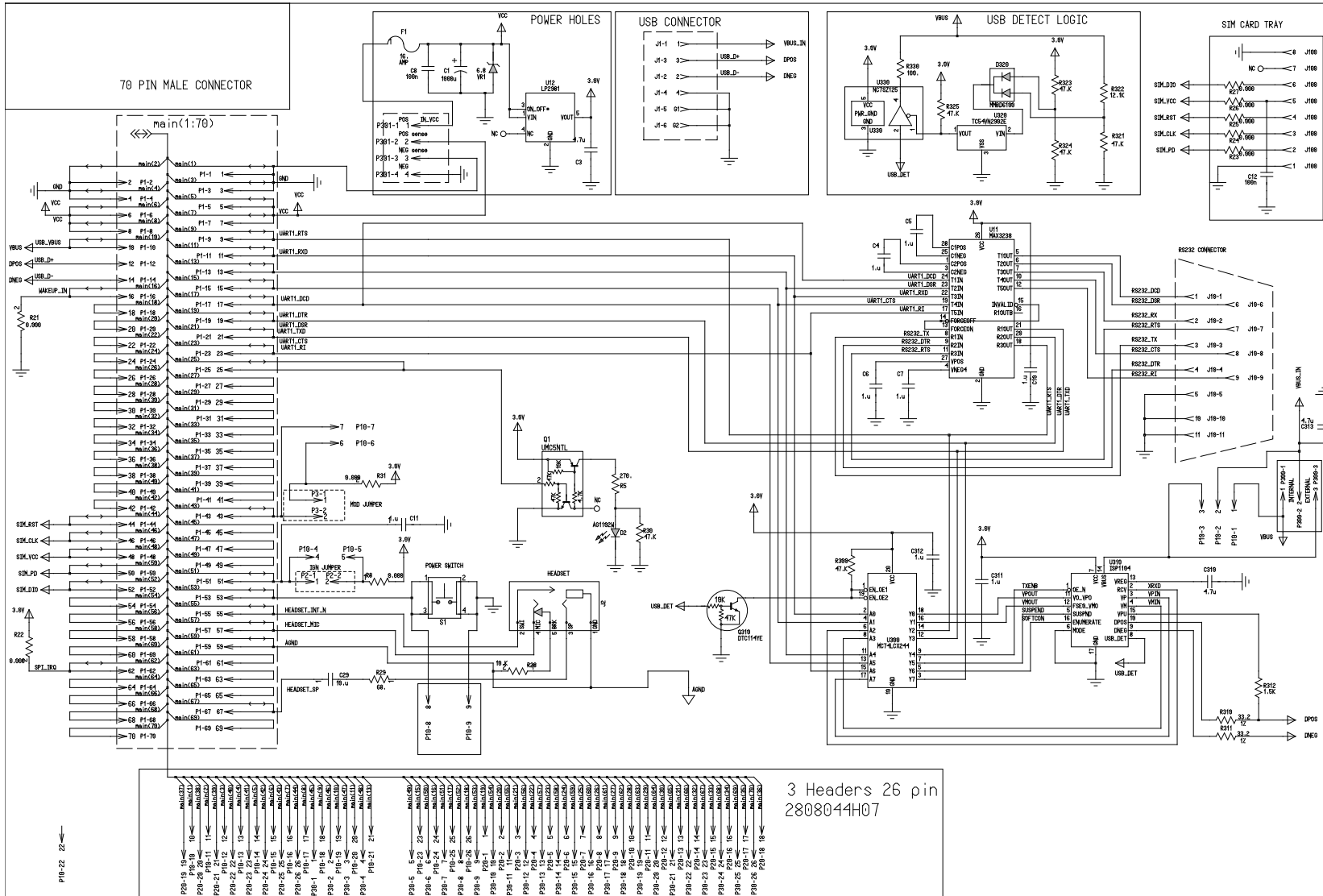


USB Configuration



RS232 Configuration





ISSUE	RELEASE	DATE	APV0
O	XXXXX	XX XX	XXXX
A	XXXXX	XX XX	XXXX
B	XXXXX	XX XX	XXXX
C	XXXXX	XX XX	XXXX
D	XXXXX	XX XX	XXXX

3 Headers 26 pin
2808044H07



PROJ.		NAME		PCB_NO.	
DESCRIPTION:		DATA CABLE FOR G20/C18		8488337V01_P1	
DRAWN	BTB015	09/03/04	CHECKED	BDF004	09/03/04
APPROVED	CAG014	10/03/04	RELEASED	BTB015	10/03/04
X	X	D	X	X	X
X	X	G	X	X	X
SHEET 1 OF 1					

1. DRAWING GENERATED BY COMPUTER.
2. MOTOROLA CONFIDENTIAL PROPRIETARY !!